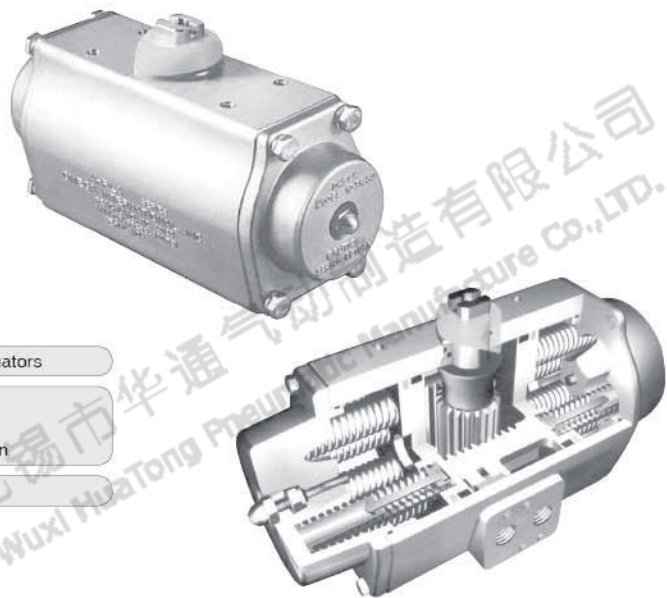


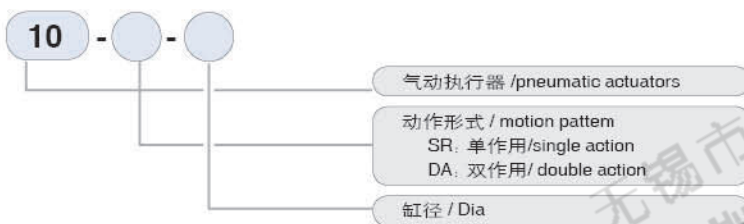
# 10SR/DA 系列气动执行器

## series Pneumatic actuators

- 不锈钢阀门气动执行器90°
- 铝合金阀门气动执行器90°
- 机电一体化气动执行器60°-360°
- Stainless steel valve pneumatic actuators 90°
- Aluminum alloy valve pneumatic actuators 90°
- Mechaniclelectric automation pneumatic actuators 60°-360°



### 型号注释 Note for type



### 产品特点 Features

- 紧凑的双活塞齿轮齿条式机构，安装容易，精度高，寿命长，角行程输出
- 铝制缸体，内表面质地坚硬，强度高，摩擦系数小
- 两端的行程调整螺钉可使标准产品在0°和90°两位置有±4°的可调范围，确保与阀门的同步精度
- 多导向活塞确保动作精确，低摩擦力和高寿命
- 高精度的齿轮齿条，啮合精确，效率高
- 具备防漏结构且有轴承导向的一体式齿轮轴，寿命长，安全性好
- ISO 5211标准连接法兰为更换和安装提供了方便
- 四方、扁平输出轴顶部易于手动操作
- Compact double piston gear/rack structure, easy of installation, high precision, long working life, and angular stroke out put.
- Aluminum made cylinder body, hard inner surface, high strength and low friction factor.
- Stroke adjustment screws atboth ends provide standard products with an adjustment range of ±4° between 0° and 90°, ensuring the synchronization precision with the valve.
- Multi directional piston ensure precise movments, low friction and long working life.
- Fitted with anti-leakage structure and integral gear shaft with bearing guide, ensuring long life and safe perform mance.
- Standard connection flanges of ISO 5211 make it easy for replacement and installation
- Square and flat output shaft top, easy for manuml operation

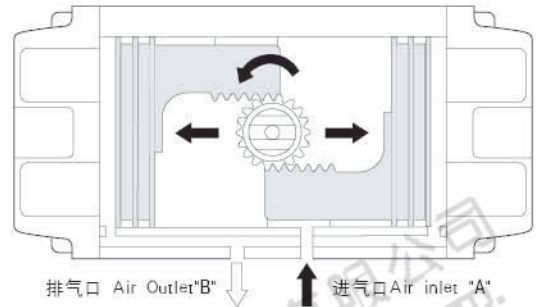
### 工作条件 Working condition

工作介质Working medium	干燥洁净的压缩空气Dry and clean compressed air
气源Air supply	双作用 Double Action: 0.1~1.0MPa,
	单作用 Single Action: 0.2~1.0MPa
环境温度 Tempt ambient	标准型(使用丁腈橡胶O形圈) Stundard type(with NBR O-ring): -20°C ~+80°C
	低温型(使用丁腈橡胶O形圈)Low tempt type(with NBR O-ring): -40°C ~+80°C
	高温型(使用丁腈橡胶O形圈)High tempt type(with NBR O-ring): -20°C ~+150°C
润滑 lubrication	在正常工作条件下，不需供油 Under normal working condition no need for oil supply
使用环境 Installation	适合室内或室外安装使用 In or out doors
行程调整 Stroke adjustment	在0和90度两个位置可调 Can be adjusted on the two position: 0° and 90°

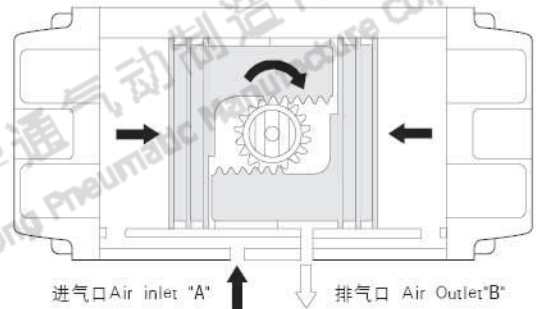
标准动作 Specification

双作用 Double Action (俯视 top view)

A口进气、B口排气。推动两活塞分开向两边移动。输出轴逆时针方向转动。  
 Air to port A forces the pistons outwards, causing the pinion to turn counter clock wise while the air is being exhausted from port B.

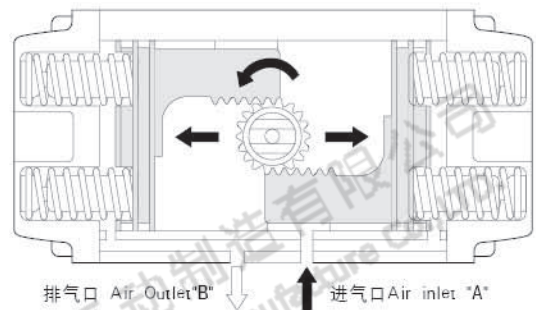


B口进气、A口排气。推动两活塞合拢向中心。移动输出轴顺时针方向转动。  
 Air to port B forces the pistons inwards, causing the pinion to turn clock wise while the air is being exhausted from port A.

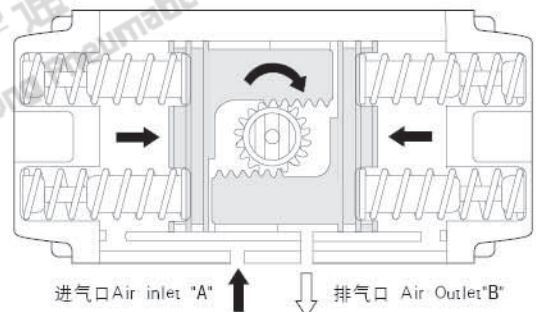


单作用 Single Action (俯视 top view)

A口进气、B口排气。推动两活塞分开向两边移动。同时压缩弹簧。输出轴逆时针方向转动。  
 Air to port A forces the pistons outwards, causing the springs to compress, the pinion turns counter-clockwise while air is being exhausted from port B.



排气或失电时。弹簧推动两活塞合拢向中心移动。输出轴顺时针方向转动。  
 Loss of air pressure, the stored energy in the springs forces the pistons in wards, the pinion turns clockwise while air is being exhausted from port A.





# 10SR/DA 系列气动执行器

Series Pneumatic actuators

常规 / general

## 技术参数 Specification

### 单作用执行机构输出力矩 / Output Torque Of Spring Return Actuators

(Nm)

型号 Type	弹簧数量 Spring qty	输入气源压力 Air pressure(MPa)												弹簧输出力矩 Spring output	
		0.3		0.4		0.5		0.6		0.7		0.8			
		0°	90°	0°	90°	0°	90°	0°	90°	0°	90°	0°	90°	0°	90°
10-SR-45	3	5.08	2.71	7.3	5.9	10.8	9.1	13.9	11.9	16.8	14.7	19.6	17.8	4.9	3.5
	4	-	-	6.0	4.3	9.4	7.4	12.1	10.1	15.6	13.1	17.9	16.0	6.5	4.7
	5	-	-	-	-	8.2	6.1	11.3	9.2	14.2	12.2	16.5	15.1	8.2	5.9
	6	-	-	-	-	-	-	10.1	7.5	13.1	10.1	15.3	13.2	9.8	7.1
10-SR-60	3	8.8	5.7	14.1	11.0	19.3	16.3	24.7	21.5	29.8	26.6	35.1	31.8	8.1	5.1
	4	-	-	12.2	8.2	17.3	13.2	22.6	18.5	27.6	23.7	31.7	27.7	11.2	7.2
	5	-	-	-	-	15.2	10.2	20.1	15.6	25.7	20.5	29.6	24.5	14.2	9.3
	6	-	-	-	-	-	-	18.8	12.3	24	17.6	26.6	21.5	17.3	11.1
10-SR-85	3	30.1	17	47.2	34	64.5	51.2	81.2	68.1	98	85.3	124.5	106.5	17	9.8
	4	-	-	41.2	23.6	58.5	40.6	75.1	57.5	92.4	74.6	104	86	23.6	13.5
	5	-	-	-	-	52.4	30.3	69.2	47.3	86.4	64.3	96.4	73.4	30.4	17.2
	6	-	-	-	-	-	-	63.3	37	80.2	54	102.2	77.2	37.5	21.4
10-SR-105	3	50.2	30.5	78.1	58.1	101	83.7	128	110	154	136	181	162	46.2	28.2
	4	-	-	65.2	42.1	92.3	67.7	119	95	144	120	171	148	62	37.8
	5	-	-	-	-	82.2	52.2	109	79	135	104	161	132	77.6	47.7
	6	-	-	-	-	-	-	99	63	125	88.6	152	116	93.3	57.5
10-SR-125	3	105	65.2	163	123	221	180	279	238	336	296	394	354	98	57.7
	4	-	-	142	88.5	200	146	258	204	315	261	373	319	132	28.5
	5	-	-	-	-	179	112	237	170	295	227	352	285	167	99
	6	-	-	-	-	-	-	115	135	273	193	331	250	201	120
10-SR-145	3	158	96	243	184	229	251	322	203	407	493	384	2748	298	176
	4	-	-	213	133	218	216	414	355	500	440	585	525	146	86
	5	-	-	-	-	267	168	383	304	469	389	554	475	196	117
	6	-	-	-	-	-	-	353	253	438	339	523	424	247	148
10-SR-160	3	207	133	321	247	434	360	541	473	661	587	774	700	191	117
	4	-	-	279	180	382	294	506	407	519	520	733	634	258	159
	5	-	-	-	-	350	227	464	341	571	454	691	567	324	201
	6	-	-	-	-	-	-	422	274	536	388	649	501	391	243
10-SR-200	3	388	250	601	463	814	676	1026	88	1239	1101	1452	1314	368	230
	4	-	-	521	337	734	550	946	762	1159	975	1372	1188	494	310
	5	-	-	-	-	654	424	866	636	1079	849	1292	1062	620	390
	6	-	-	-	-	-	-	786	510	1001	723	1212	936	746	470
10-SR-270	3	933	608	1450	1125	1967	1642	2484	2159	3001	2676	3518	3193	903	528
	4	-	-	1251	818	1768	1334	2285	1851	2801	2668	3368	2885	1210	777
	5	-	-	-	-	1568	1027	1985	1544	2602	2061	3119	2578	1518	976
	6	-	-	-	-	-	-	1886	1236	2403	1753	2920	2270	1825	1176
10-SR-300	3	1264	768	1944	1472	1832	2008	3312	2840	4000	3520	4680	4200	1168	688
	4	-	-	1704	1064	1744	1728	3064	2432	3752	3117	4432	3800	1568	936
	5	-	-	-	-	2136	1344	2824	2024	3504	2712	4184	3392	1976	1184
	6	-	-	-	-	-	-	2576	1624	3256	3944	3072	2192	2384	1408
10-SR-350	3	1656	1064	2568	1976	3472	2880	4328	3748	5288	4696	6192	5600	1528	936
	4	-	-	2232	1440	3056	2352	4048	3256	4152	4160	5864	5072	2064	1272
	5	-	-	-	-	2800	1818	3712	2728	4568	3632	5528	4536	2592	1608
	6	-	-	-	-	-	-	3376	2192	4288	3104	5192	4008	3128	1944
10-SR-400	3	3104	2000	4808	3704	6512	5408	8208	7104	9912	8808	11616	10512	2944	1840
	4	-	-	4168	2696	5812	4400	7568	6096	9272	7800	10976	9504	3952	2480
	5	-	-	-	-	5232	3392	6928	5088	8632	6792	10336	8496	4960	3120
	6	-	-	-	-	-	-	6288	4080	8008	5784	9696	7488	5968	3760

注: 1. 弹簧输出力矩是指在排气的情况下, 弹簧在行程处于0° 和90° 时的执行机构输出力矩。

2. 执行机构两端可根据需要放置数量不等的弹簧, 如在一端放置3个, 另一端放置4个, 表示为3+4。

Note: 1. Spring output torque: when air out spring at position 0° or 90°

2. Depends on the request, the spring can be set in different qty an two side. eg. one side 3, other 4, we can say 3+4.

气动执行器系列 **10SR/DA**  
 Pneumatic actuators Series 常规 / general

技术参数 Specification

(Nm)

双作用执行机构输出力矩 / Output Torque Of Double Acting Actuators

型号 Type	输入气源压力 Air pressure(MPa)								
	0.2	0.3	0.4	0.5	0.6	0.7	0.8	0.9	1.0
10-DA-45	5.65	8.47	11.3	14.12	16.95	19.77	22.6	25.4	28.25
10-DA-60	9.6	14.4	19.2	24	28.8	33.6	38.4	43.2	48
10-DA-85	20.2	30.13	40.4	50.5	60.6	70.7	80.8	90.9	101
10-DA-105	56	84	112	140	168	196	224	252	280
10-DA-125	95	135	180	225	270	315	360	405	450
10-DA-145	150	225	300	375	450	525	600	675	750
10-DA-160	198	297	396	495	594	693	792	891	990
10-DA-200	395	592	790	987	1185	1382	1580	1777	1975
10-DA-270	1008	1509	2012	2515	3018	3521	4024	4527	5030
10-DA-300	1700	2550	3400	4250	5100	5950	6800	7650	8500
10-DA-350	2500	3750	5000	6250	7500	8750	10025	11250	25000
10-DA-400	3950	5925	7900	9875	11850	13825	15800	17775	39500

外形尺寸 Outlook & Dimension

型号 Type	AD	AS	C	D	E	F	G	H	J	K	L	M	N	Q	R
10-SR(DA)-45	138	168	65	52.5	62.5	35	16	4	20	10	12	23	16	32	24
10-SR(DA)-60	154	180	81	60.5	74	39	16	4	20	10	12	23	16	32	24
10-SR(DA)-85	188	222	108	74	100.5	52	16	4	20	10	12	24	16	32	24
10-SR(DA)-105	214	290	133	86.5	117	58.5	16	4	20	10	12	30	16	32	24
10-SR(DA)-125	295	370	155	97.5	137	68.5	16	4	20	10	12	30	16	32	24
10-SR(DA)-145	304	419	175	107.5	157	78.5	16	4	20	10	12	30	16	32	24
10-SR(DA)-160	321	477	196	118	172	86	16	4	20	10	12	35	16	32	24
10-SR(DA)-200	389	591	240	140	214	107	22	4	20	10	12	40	16	32	24
10-SR(DA)-270	465	692	330	185	290	145	27	4	20	10	12	45	16	32	24
10-SR(DA)-300	509	812	380	210	320	160	30	4	20	10	12	55	16	32	24
10-SR(DA)-350	534	961	440	240	374	187	32	4	20	10	12	60	16	32	24
10-SR(DA)-400	644	1060	490	265	430	215	36	4	20	10	12	70	16	32	24

型号 Type	S	T	V	W	X	Y	Z	AA	BB	CC	DD	EE	FF	GG	HH
10-SR(DA)-45	1/4	M5	11	15	M5	8	42	M5	6	30	80	88.9	31.75	M5	8
10-SR(DA)-60	1/4	M5	14	15	M5	8	50	M5	6	30	80	88.9	31.75	M6	8
10-SR(DA)-85	1/4	M5	19	17	M5	12	70	M5	6	30	80	114	38	M8	12
10-SR(DA)-105	1/4	M5	19	20	M5	12	70	M5	6	30	80	114	38	M8	12
10-SR(DA)-125	1/4	M5	22	25	M5	15	70	M5	6	30	130	114	38	M10	15
10-SR(DA)-145	1/4	M5	27	30	M5	18	102	M5	6	30	130	138	44	M12	18
10-SR(DA)-160	1/4	M5	27	30	M5	18	102	M5	6	30	130	138	44	M12	18
10-SR(DA)-200	1/4	M5	36	40	M5	22	140	M5	6	30	130	164	50	M16	22
10-SR(DA)-270	1/4	M5	46	50	M5	25	165	M5	6	30	130	188	56	M20	25
10-SR(DA)-300	1/4	M5	46	50	M5	25	165	M5	6	30	130	188	56	M20	25
10-SR(DA)-350	1/4	M5	50	50	M5	25	165	M5	6	30	130	188	56	M20	25
10-SR(DA)-400	1/4	M5	60	60	M5	28	180	M5	6	30	150	210	70	M20	28



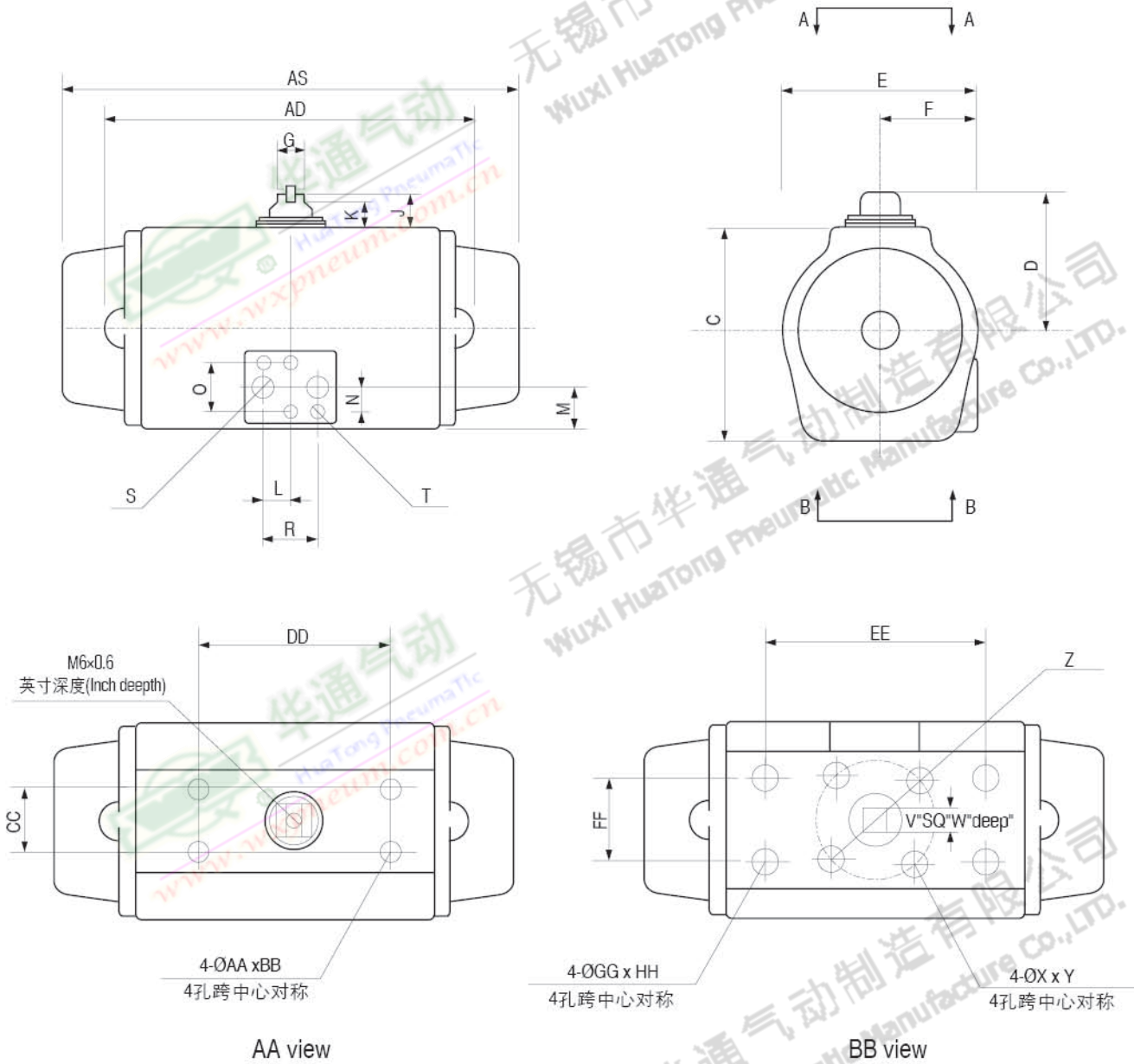


# 10SR/DA

系列 气动执行器  
Series Pneumatic actuators

常规 / general

无锡市华通气动制造有限公司  
Wuxi HuaTong Pneumatic Manufacture Co.,LTD.



无锡市华通气动制造有限公司  
Wuxi HuaTong Pneumatic Manufacture Co.,LTD.

无锡市华通气动制造有限公司  
Wuxi HuaTong Pneumatic Manufacture Co.,LTD.